

NEMA Enclosures Main Selection

Nema Enclosures.....275

INTRODUCTION

NEMA Type 1 and Type 3R

MATERIALS:

- Made from 16 Gauge, 14 Gauge, and 12 Gauge Steel.

FINISH:

- ANSI 61 Gray Polyester Powder Paint
- Hi-Gloss Smoke Gray Powder Coated, inside and outside.
- Other finishes available through special order upon request.

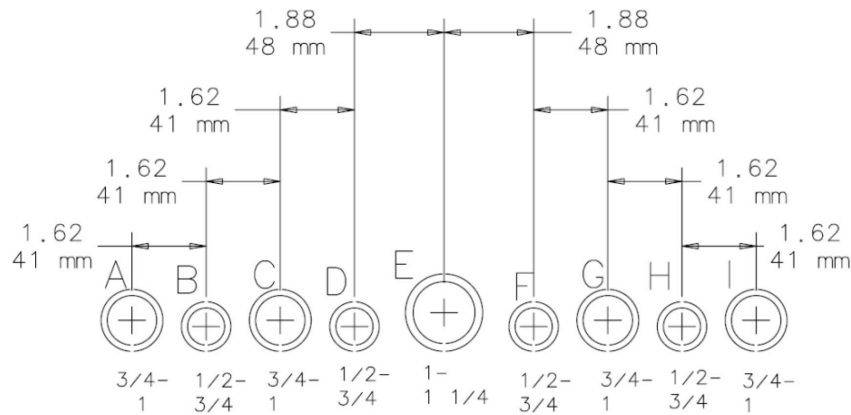
KNOCK-OUT:

- Standard Concentric Knock-Outs on all sides of enclosures.
- Enclosures without knock-outs are also available

COVERS:

- Flat covers are provided with key holes for rapid removal from box without removing screws.
- Flush mount covers are also available.

NEMA Type 1 and Type 3R Knock Out Patterns



NEMA ENCLOSURES



NEMA Type 1 Screw Cover Enclosures With K.O.

Features:

- ANSI 61 Gray Polyester Powder Paint Finish inside and out
- 16, 14, 12, Gauge Steel or Plated Steel
- Mounting holes on back of box



ITEM #	BODY STYLE	KNOCKOUTS			K.O. PATTERN		STD. PKG.
		WIDTH	HEIGHT	DEPTH	A	B	
# JW444	A	4	4	4	B-C	B-C	6
# JW464	A	4	6	4	B-C-D	B-C-D	6
# JW664	A	6	6	4	B-C-D	B-C-D	6
# JW666	A	6	6	6	B-C-D	B-C-D	6
# JW884	A	8	8	4	F-G-H-D	F-G-H-D	6
# JW886	A	8	8	6	F-G-H-D	F-G-H-D	4
# JW10104	A	10	10	4	F-G-H-D	C-D-E-F-G	4
# JW10106	A	10	10	6	F-G-H-D	C-D-E-F-G	4
# JW12124	A	12	12	4	C-D-E-F-G	C-D-E-F-G	2
# JW12126	A	12	12	6	C-D-E-F-G	C-D-E-F-G	2
# JW12128	A	12	12	8	C-D-E-F-G	C-D-E-F-G	1
# JW12186	A	12	18	6	C-D-E-F-G	C-D-E-F-G	1
# JW16164	B	16	16	4	B-C-D-E-F-G-H	-	1
# JW16166	B	16	16	6	B-C-D-E-F-G-H	B-C-D-E-F-G-H	1
# JW16168	B	16	16	8	B-C-D-E-F-G-H	B-C-D-E-F-G-H	1
# JW18184	B	18	18	4	A-B-C-D-E-F-G-H-I	A-B-C-D-E-F-G-H-I	1
# JW18186	B	18	18	6	A-B-C-D-E-F-G-H-I	A-B-C-D-E-F-G-H-I	1
# JW18188	B	18	18	8	A-B-C-D-E-F-G-H-I	-	1
# JW24244	B	24	24	4	A-B-C-D-E-F-G-H-I	A-B-C-D-E-F-G-H-I	1
# JW24246	B	24	24	6	A-B-C-D-E-F-G-H-I	A-B-C-D-E-F-G-H-I	1
# JW24248	C	24	24	8	A-B-C-D-E-F-G-H-I	A-B-C-D-E-F-G-H-I	1

Note: Other size & finishes are available by special order upon request. Contact JW Supply Representative for more information.



NEMA Type 1 Screw Cover Enclosures Without K.O.

Features:

- ANSI 61 Gray Polyester Powder Paint Finish inside and out
- 16, 14, 12, Gauge Steel or Plated Steel
- Mounting holes on back of box

ITEM #	BODY STYLE	KNOCKOUTS			STD. PKG.
		WIDTH	HEIGHT	DEPTH	
# JW444NK	A	4	4	4	6
# JW464NK	A	4	6	4	6
# JW664NK	A	6	6	4	6
# JW666NK	A	6	6	6	6
# JW884NK	A	8	8	4	6
# JW886NK	A	8	8	6	4
# JW10104NK	A	10	10	4	4
# JW10106NK	A	10	10	6	4
# JW12124NK	A	12	12	4	2
# JW12126NK	A	12	12	6	2
# JW12128NK	A	12	12	8	1
# JW12186NK	A	12	18	6	1
# JW16164NK	B	16	16	4	1
# JW16166NK	B	16	16	6	1
# JW16168NK	B	16	16	8	1
# JW18184NK	B	18	18	4	1
# JW18186NK	B	18	18	6	1
# JW18188NK	B	18	18	8	1
# JW24244NK	B	24	24	4	1
# JW24246NK	B	24	24	6	1
# JW24248NK	C	24	24	8	1

Note: Other size & finishes are available by special order upon request. Contact JW Supply Representative for more information.



NEMA 3R Screw Cover Enclosures With K.O.

Features:

- ANSI 61 Gray Polyester Powder Paint Finish inside and out
- 16, 14, 12, Gauge Steel or Plated Steel
- Mounting holes on back of box
- With Padlock Hasp



ITEM #	BODY STYLE	KNOCKOUTS			K.O. PATTERN	STD. PKG.
		WIDTH	HEIGHT	DEPTH		
# JW444R	A	4	4	4	B-C	6
# JW464R	A	4	6	4	B-C-D	6
# JW664R	A	6	6	4	B-C-D	6
# JW666R	A	6	6	6	B-C-D	6
# JW884R	A	8	8	4	F-G-H-D	6
# JW886R	A	8	8	6	F-G-H-D	4
# JW10104R	A	10	10	4	C-D-E-F-G	4
# JW10106R	A	10	10	6	C-D-E-F-G	4
# JW12124R	A	12	12	4	C-D-E-F-G	2
# JW12126R	A	12	12	6	C-D-E-F-G	2
# JW12128R	A	12	12	8	C-D-E-F-G	1
# JW12186R	A	12	18	6	C-D-E-F-G	1
# JW16164R	B	16	16	4	B-C-D-E-F-G-H	1
# JW16166R	B	16	16	6	B-C-D-E-F-G-H	1
# JW16168R	B	16	16	8	B-C-D-E-F-G-H	1
# JW18184R	B	18	18	4	A-B-C-D-E-F-G-H-I	1
# JW18186R	B	18	18	6	A-B-C-D-E-F-G-H-I	1
# JW18188R	B	18	18	8	A-B-C-D-E-F-G-H-I	1
# JW24244R	B	24	24	4	A-B-C-D-E-F-G-H-I	1
# JW24246R	B	24	24	6	A-B-C-D-E-F-G-H-I	1
# JW24248R	C	24	24	8	A-B-C-D-E-F-G-H-I	1

Note: Other size & finishes are available by special order upon request. Contact JW Supply Representative for more information.



NEMA 3R Screw Cover Enclosures Without K.O.

Features:

- ANSI 61 Gray Polyester Powder Paint Finish inside and out
- 16, 14, 12, Gauge Steel or Plated Steel
- Mounting holes on back of box
- With Padlock Hasp



ITEM #	BODY STYLE	KNOCKOUTS			STD. PKG.
		WIDTH	HEIGHT	DEPTH	
# JW444RNK	A	4	4	4	6
# JW464RNK	A	4	6	4	6
# JW664RNK	A	6	6	4	6
# JW666RNK	A	6	6	6	6
# JW884RNK	A	8	8	4	6
# JW886RNK	A	8	8	6	4
# JW10104RNK	A	10	10	4	4
# JW10106RNK	A	10	10	6	4
# JW12124RNK	A	12	12	4	2
# JW12126RNK	A	12	12	6	2
# JW12128RNK	A	12	12	8	1
# JW12186RNK	A	12	18	6	1
# JW16164RNK	B	16	16	4	1
# JW16166RNK	B	16	16	6	1
# JW16168RNK	B	16	16	8	1
# JW18184RNK	B	18	18	4	1
# JW18186RNK	B	18	18	6	1
# JW18188RNK	B	18	18	8	1
# JW24244RNK	B	24	24	4	1
# JW24246RNK	B	24	24	6	1
# JW24248RNK	C	24	24	8	1

Note: Other size & finishes are available by special order upon request. Contact JW Supply Representative for more information.